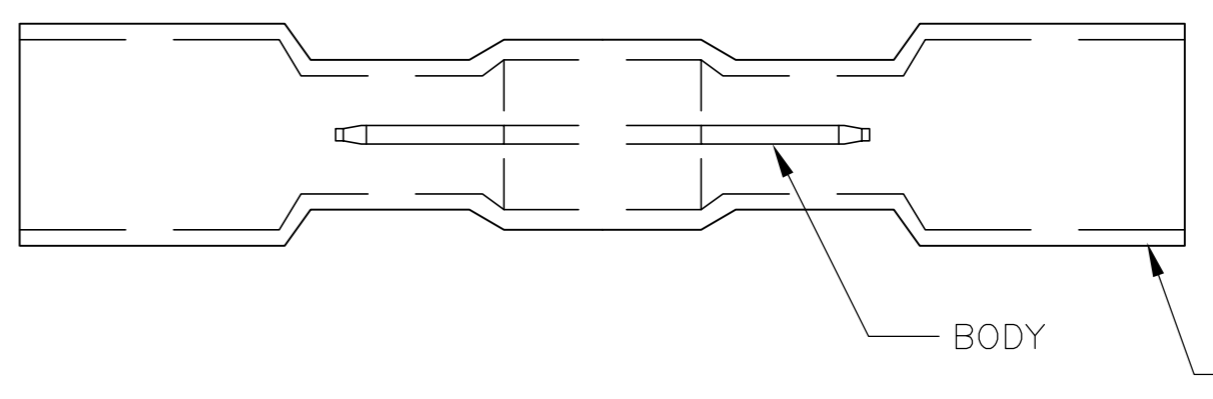
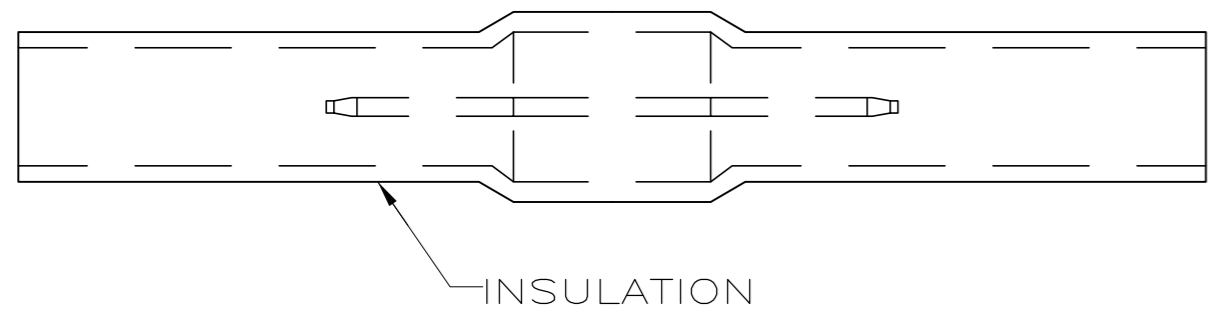
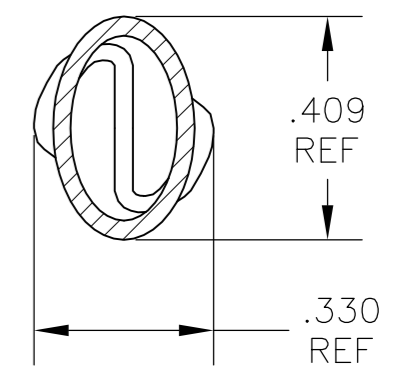
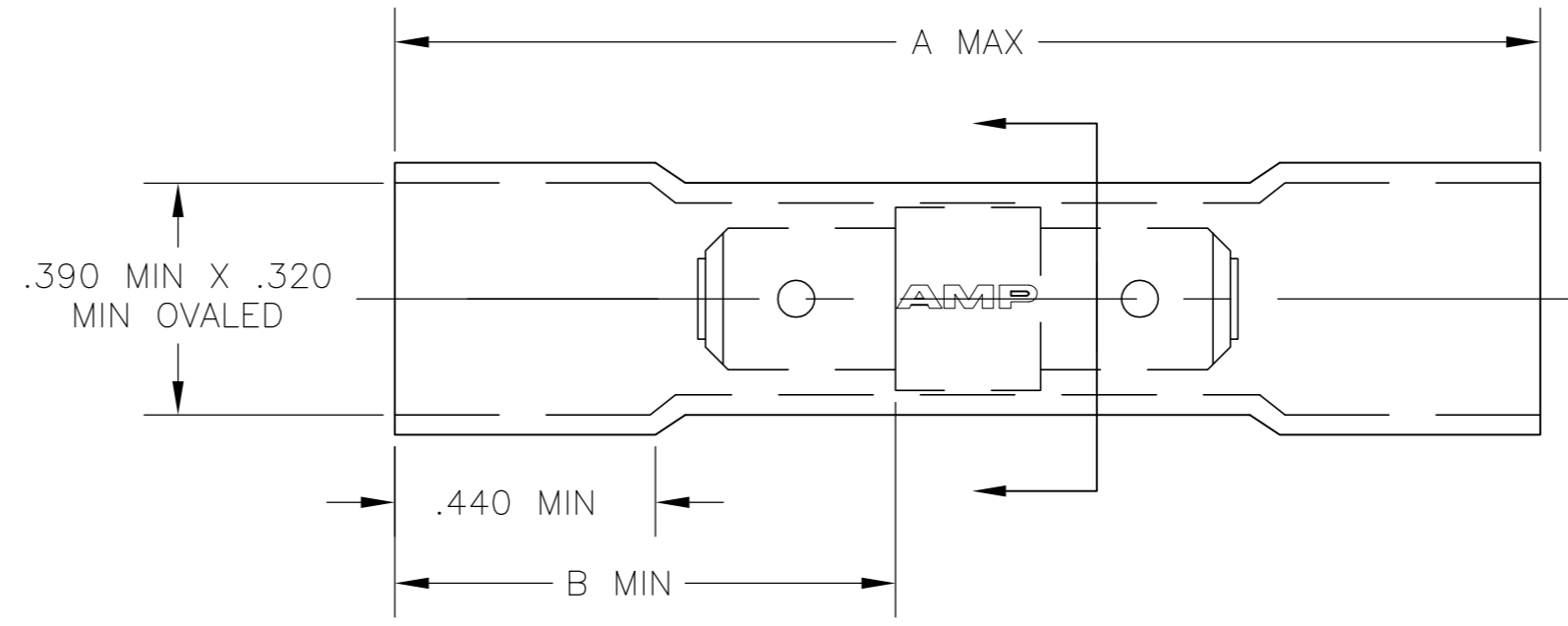
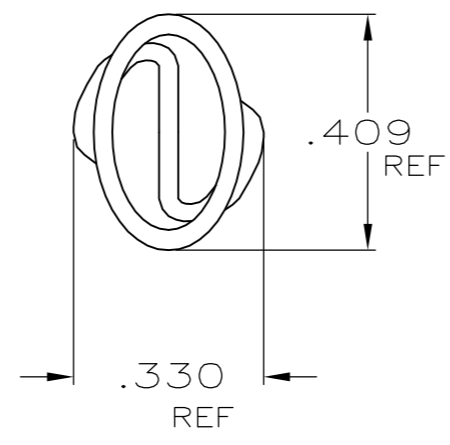
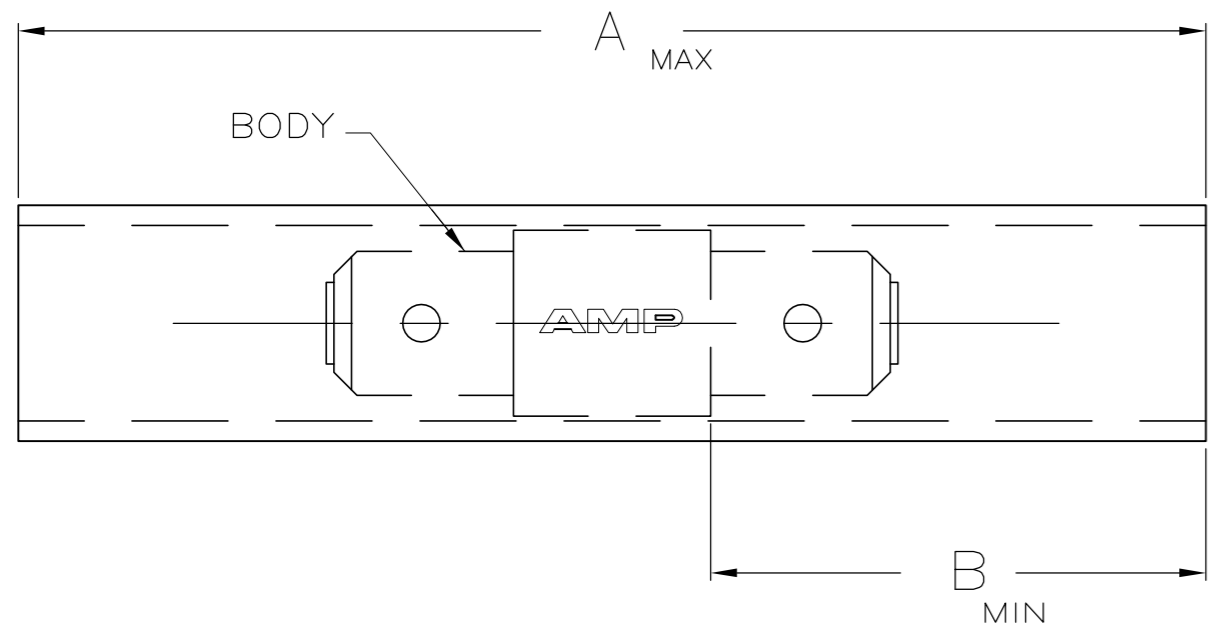


THIS DRAWING IS UNPUBLISHED. RELEASED FOR PUBLICATION
 © COPYRIGHT BY TYCO ELECTRONICS CORPORATION. ALL RIGHTS RESERVED.

LOC	DIST	REVISIONS			
P	LTR	DESCRIPTION	DATE	DWN	APVD
G	14	U3	REV PER ECR 08-017149	10JUL08	JR TM



STYLE I

STYLE III

8-321235-5	2.625	.860	NATURAL	CLEANED		LOOSE PC, BOX SPL	100	600	300
8-321235-1	2.625	.860	NATURAL	CLEANED	I	LOOSE PC, BOX	100	600	300
3-321235-0 ²	2.625	1.151	BLACK	¹	I	LOOSE PC	1000		
1-321235-4	2.438	.870	NATURAL	CLEANED	III	LOOSE PC	1000	600	300
1-321235-1	2.625	1.151	NATURAL	¹		LOOSE PC	1000	600	300
1-321235-0	2.625	1.151	NATURAL	CLEANED	I	LOOSE PC	1000	600	300
321235	2.093	.860	NATURAL	CLEANED		LOOSE PC	1000	300	300
PART NO.	DIM 'A'	DIM 'B'	COLOR	FINISH	STYLE	PACKAGE TYPE	QTY	 MAX VOLTAGE RATING	

- ¹ TIN PLATE PER ASTM B545
- ² PRELIMINARY - NOT FOR PRODUCTION

WIRE SPLICE	SEE TABLE	INSULATION: PVC COLOR: SEE TABLE BODY: BRASS (ASTM B-19) .032 THK FINISH: SEE TABLE
DESCRIPTION	PART NO.	MATERIAL & FINISH

THIS DRAWING IS A CONTROLLED DOCUMENT.		DWN JR RUTH 06OCT00	Tyco Electronics Corporation Harrisburg, PA 17105-3608	
DIMENSIONS: INCHES	TOLERANCES UNLESS OTHERWISE SPECIFIED:	CHK T MICHIELUTTI 06OCT00	NAME	
	0 PLC ± -	APVD T MICHIELUTTI 06OCT00	PRODUCT SPEC	
	1 PLC ± -		APPLICATION SPEC	
MATERIAL	FINISH		SIZE	CAGE CODE
SEE TABLE	SEE TABLE	WEIGHT	A2	00779
CUSTOMER DRAWING		SCALE	NTS	SHEET 1 of 1
		REV	U3	